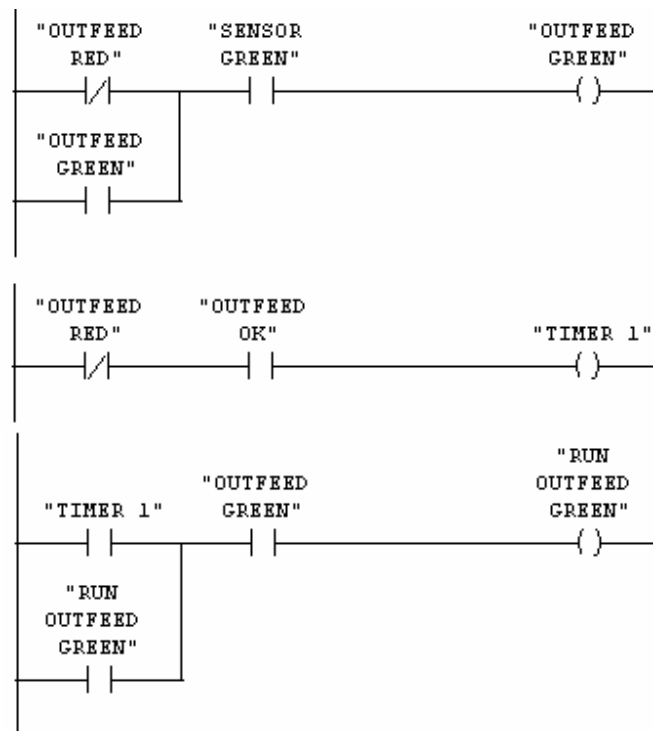
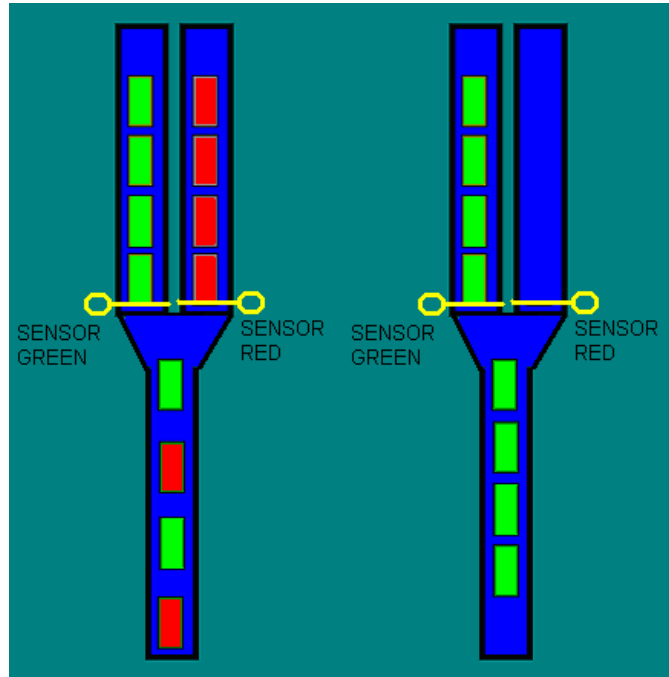


**Program tip no. 3**  
**Outfeed every second**

Outfeed every second from red respective green conveyor, if there are load on both conveyors



**Program tip no. 3**  
**Outfeed every second**

